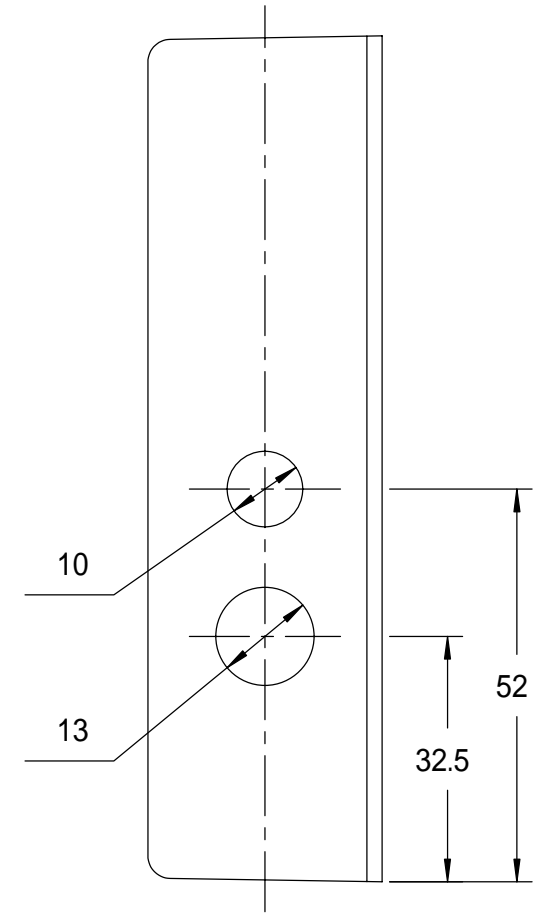


TOP VIEW



<http://wlst.jp>

TITLE			
HAMMOND 1590B POT 2			
SIZE	CAGE CODE	DWG NO	REV
A4		H1590B-POT2	A
SCALE	1:1	SHEET	