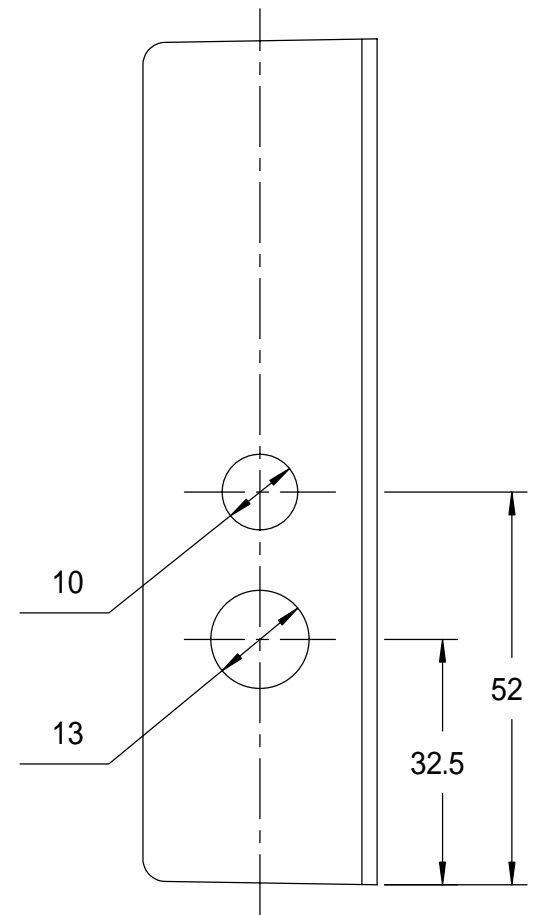


TOP VIEW



<http://wlst.jp>

|                     |           |             |     |
|---------------------|-----------|-------------|-----|
| TITLE               |           |             |     |
| HAMMOND 1590B POT 5 |           |             |     |
| SIZE                | CAGE CODE | DWG NO      | REV |
| A4                  |           | H1590B-POT5 | A   |
| SCALE               | 1:1       | SHEET       |     |