

6

5

4

3

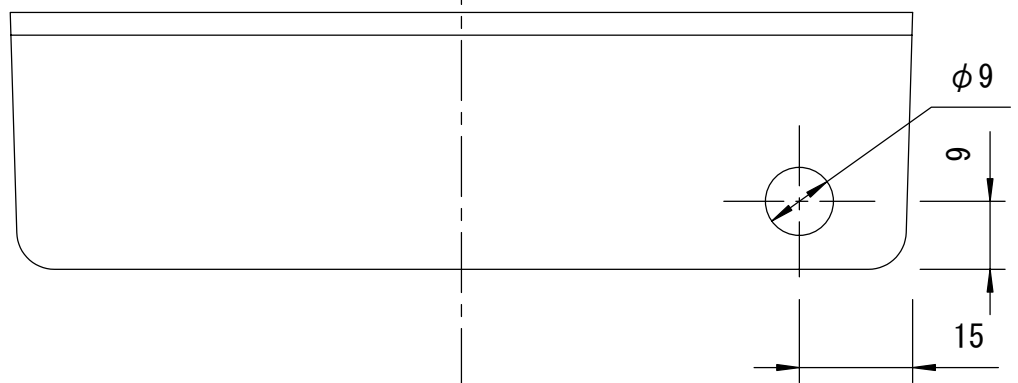
2

1



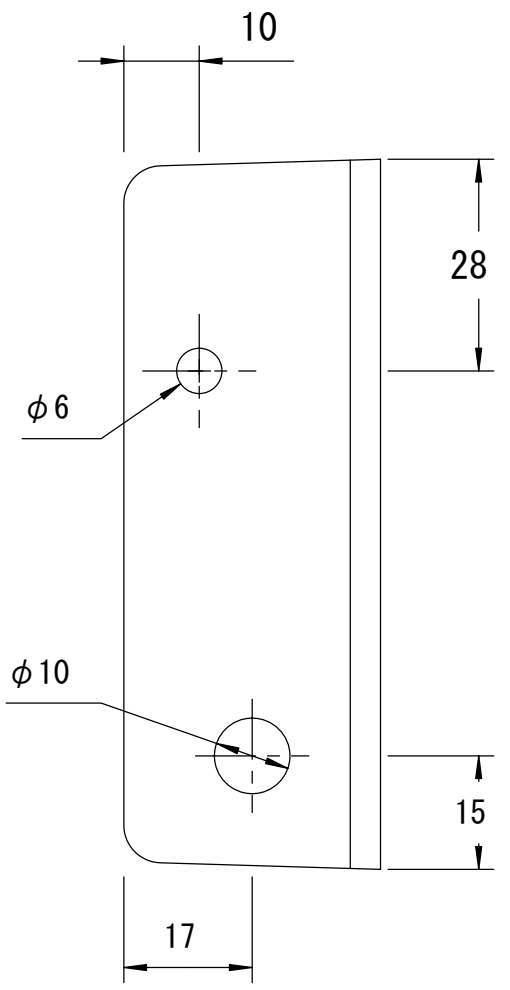
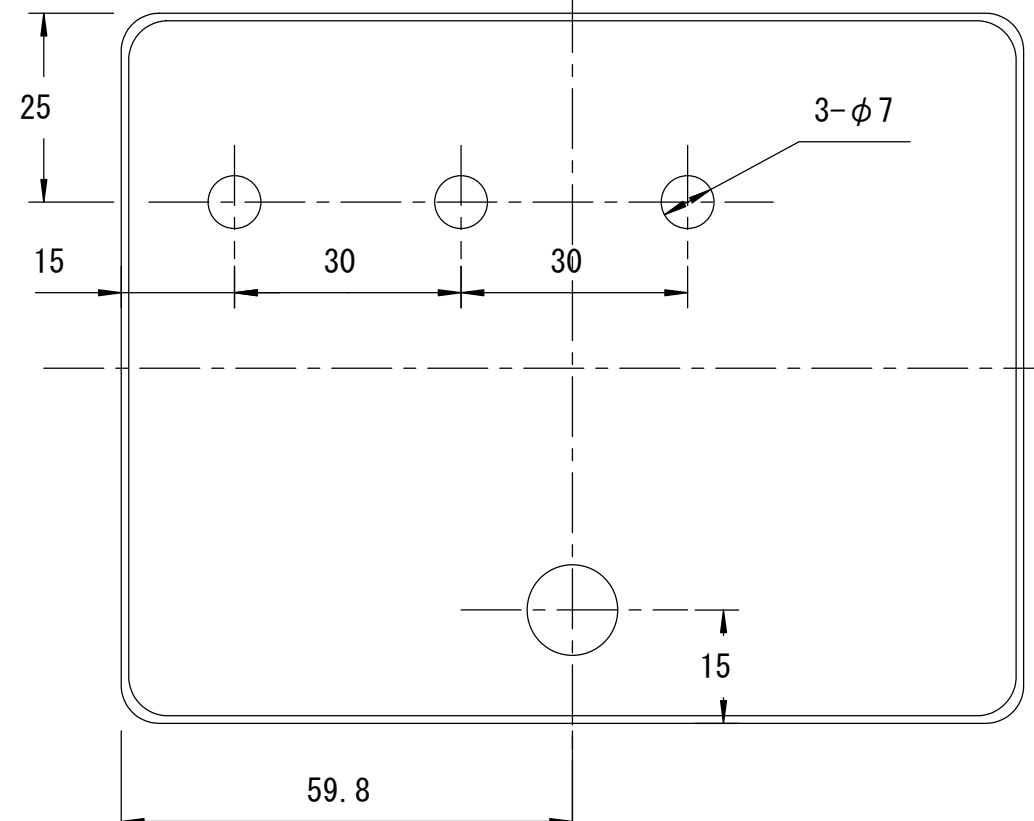
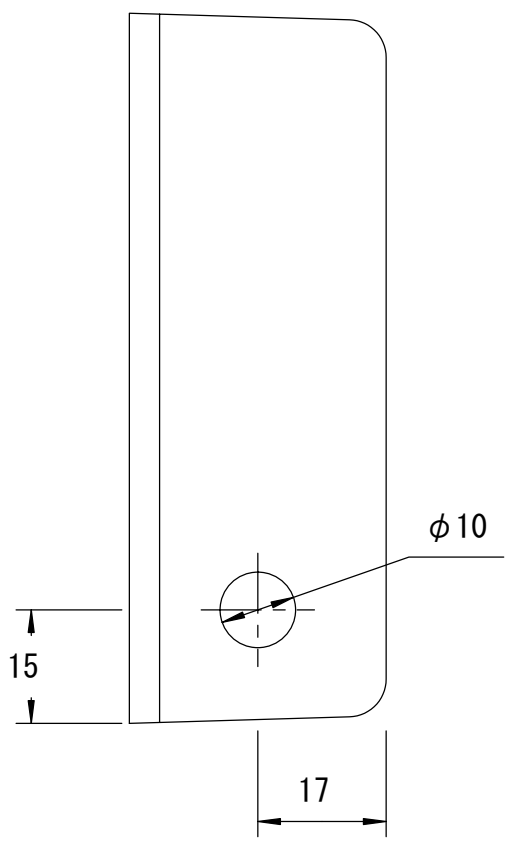
D

D



C

C



B

B

A

A

6

5

4

3

2

1



<http://wlst.jp>

TITLE			
HAMMOND 1590BB Electric Mistress			
SIZE	CAGE CODE	DWG NO	REV
A3		H1590BB-EM	B
SCALE	1:1		SHEET