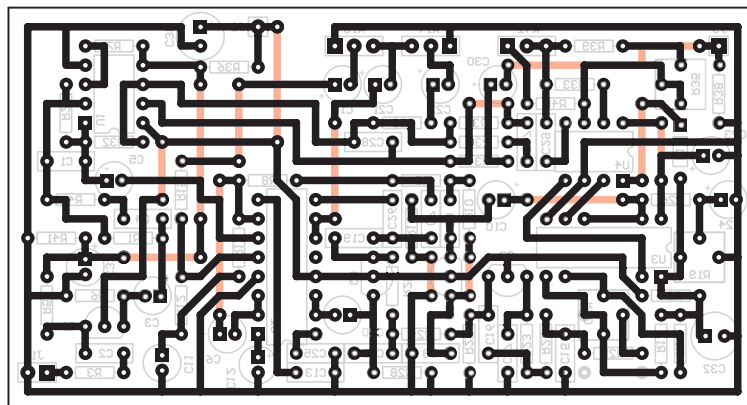
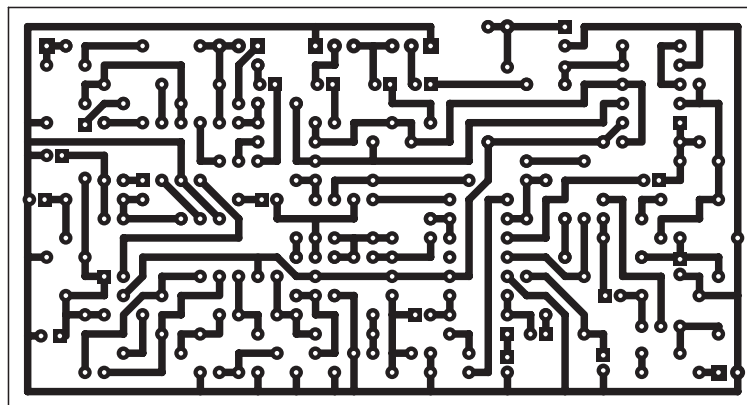


部品配置図(部品面)



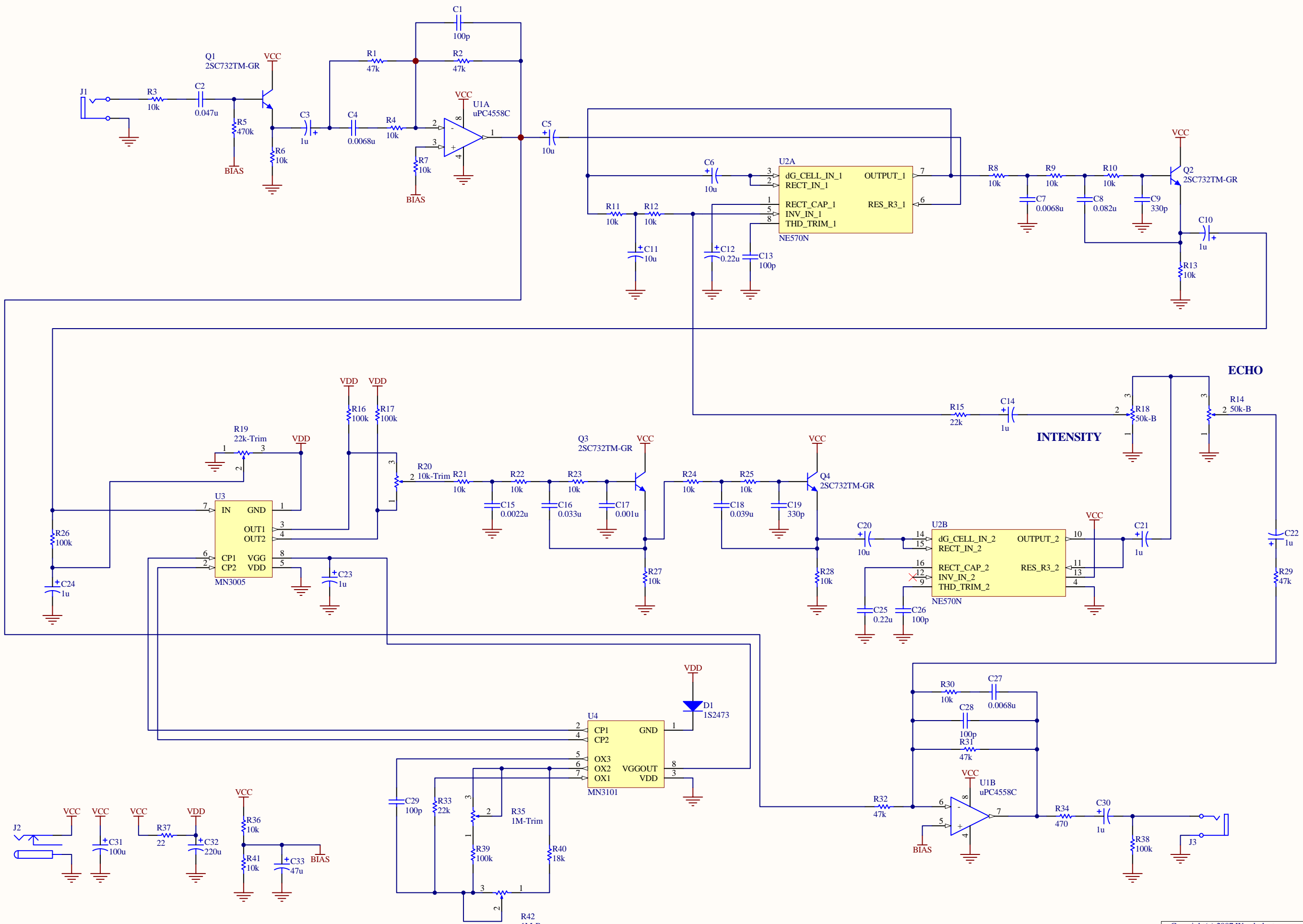
部品配置図(配線面)



配線図

部品リスト

1	0.001u	C17
1	0.0022u	C15
3	0.0068u	C4 C7 C27
1	0.033u	C16
1	0.039u	C18
1	0.047u	C2
1	0.082u	C8
2	0.22u	C12 C25
5	100k	R16 R17 R26 R38 R39
5	100p	C1 C18 C26 C28 C29
1	100u	C31
20	10k	R3 R4 R6 R7 R8 R9 R10 R11 R12 R13 R21 R22 R23 R24 R25 R27 R28 R30 R36 R41
4	10u	C5 C6 C11 C20
1	18k	R40
8	1u	C3 C10 C14 C21 C22 C23 C24 C30
1	22	R37
1	220u	C32
2	22k	R15 R33
2	330p	C9 C19
1	470	R34
1	470k	R5
5	47k	R1 R2 R29 R31 R32
1	47u	C33
1	10k-Trim	R20
1	1M-B	R42
1	1M-Trim	R35
1	1S2473	D1
1	22k-Trim	R19
4	2SC732TM-GR	Q1 Q2 Q3 Q4
2	50k-B	R14 R18
1	MN3005	U3
1	MN3101	U4
1	NE570N	U2
1	uPC4558C	U1



REPEAT RATE

INTENSITY

ECHO