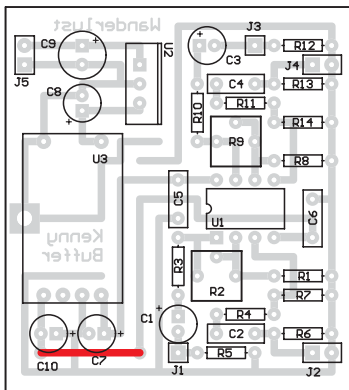
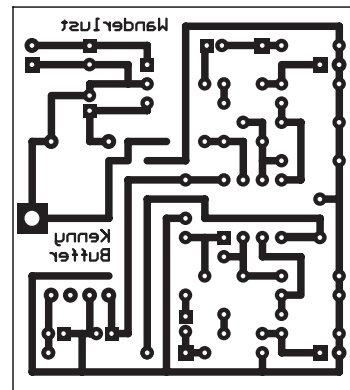


KENNY BUFFER

COPYRIGHT(C) 2007 WANDERLUST HTTP://WLST.JP
REV.B 2007.2.1



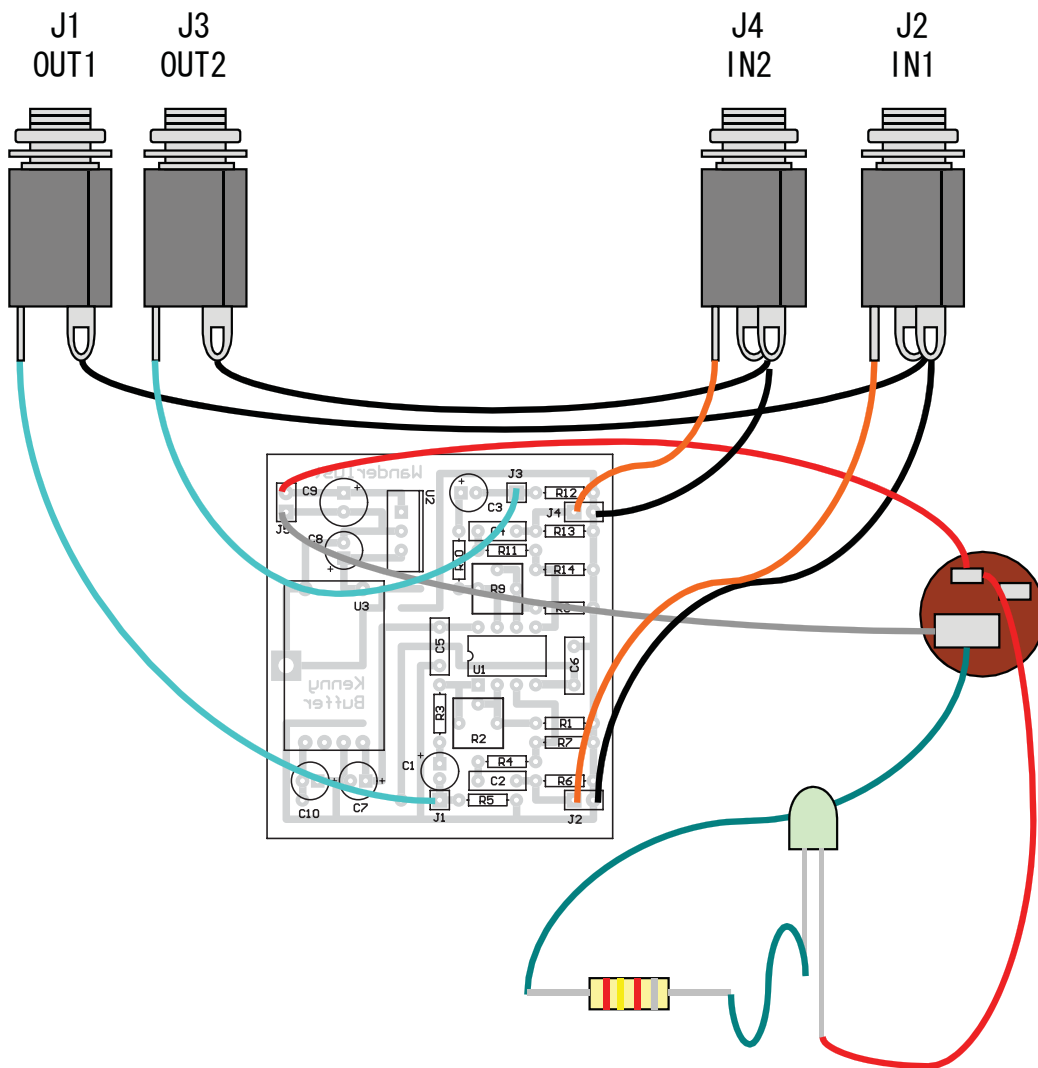
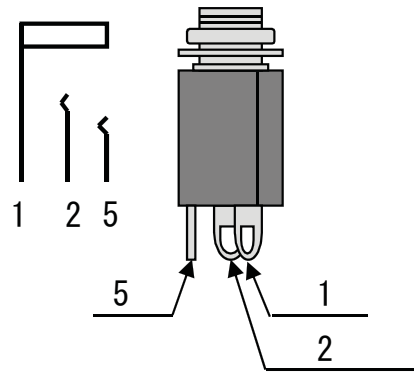
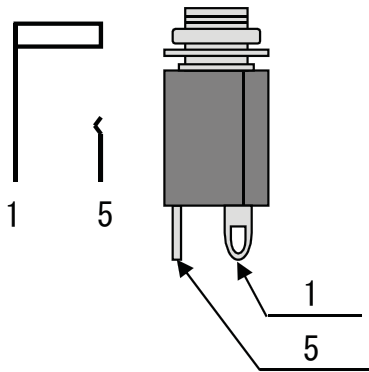
部品配置図

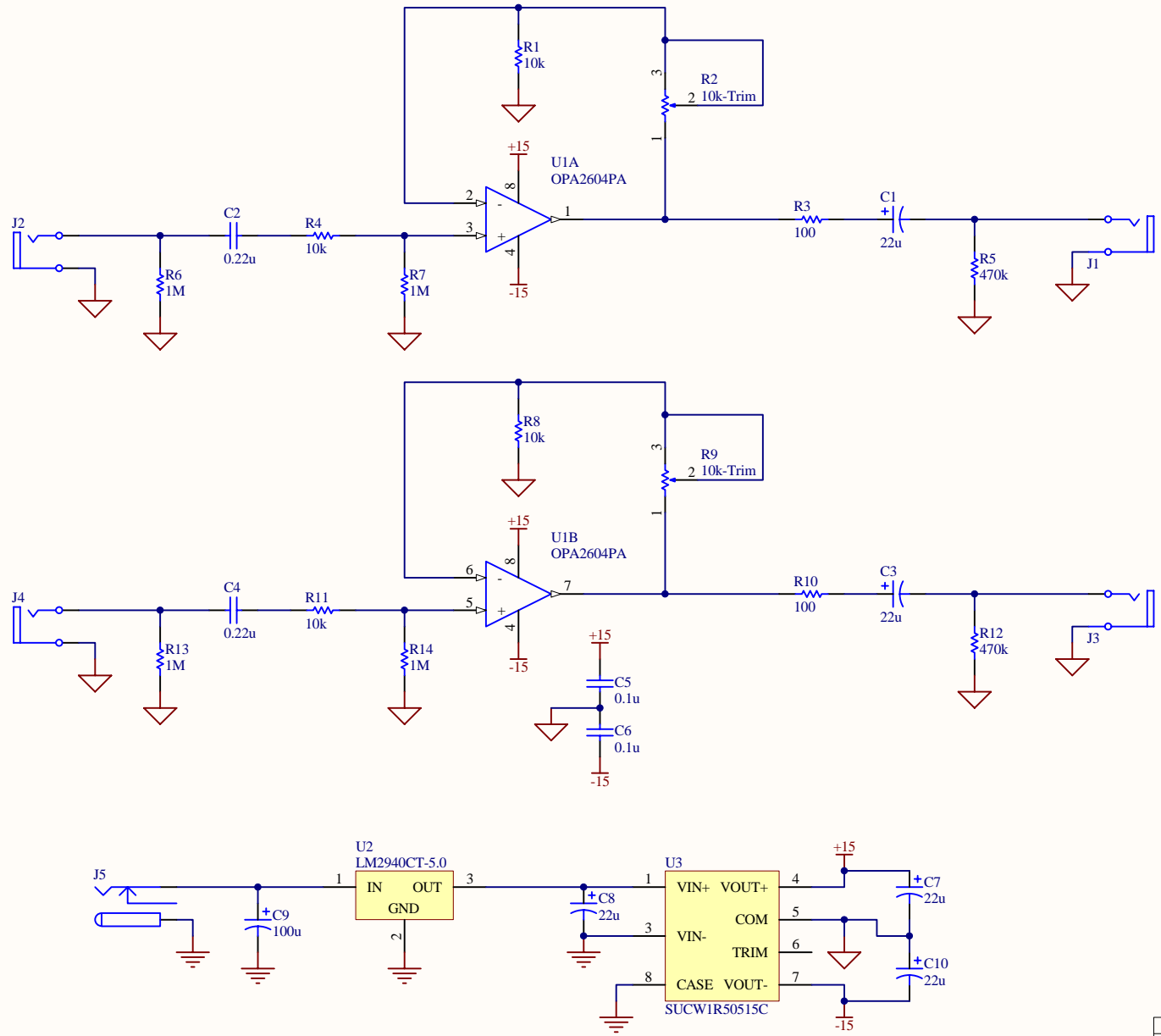


配線図

部品リスト

2	0.1u	C5 C6
2	0.22u	C2 C4
2	100	R3 R10
1	100u	C9
4	10k	R1 R4 R8 R11
4	1M	R6 R7 R13 R14
5	22u	C1 C3 C7 C8 C10
2	470k	R5 R12
2	10k-Trim	R2 R9
1	LM2940CT-5.0	U2
1	OPA2604PA	U1
1	SUCW1R50515C	U3





Copyright(c) 2006 Wanderlust		http://wlst.jp	
Title Kenny Buffer			
Size: A4	Number: *	Revision: B	
Date: 2007.2.1		Sheet 1 of 1	
File: KennyBuffer.SchDoc			